

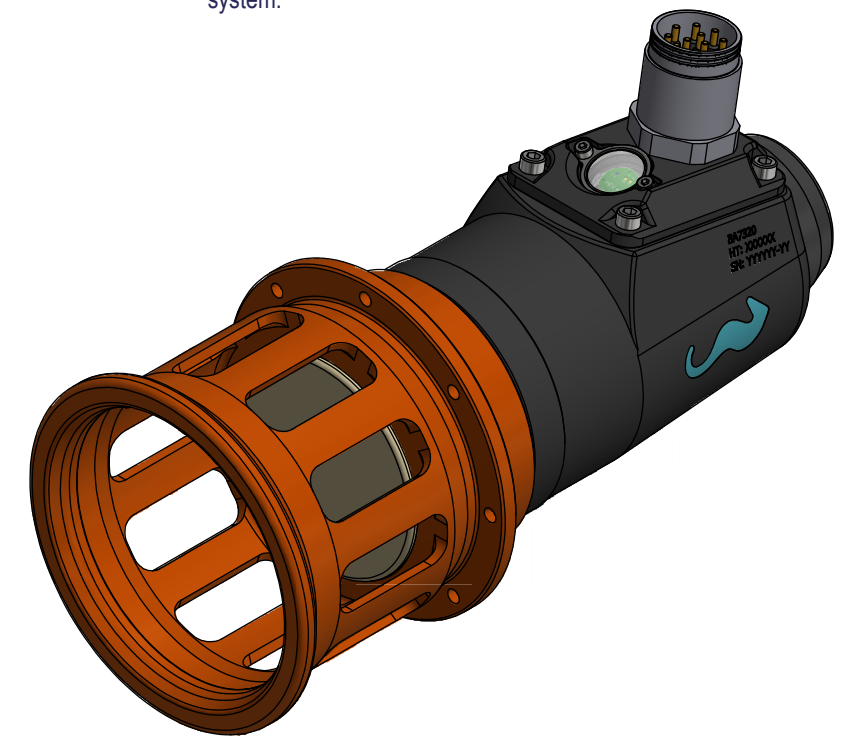
NOTE: 1
DESIGN CODE:
N/A

NOTE: 2
TECHNICAL CLASSIFICATION:
Article Type: 018-Subsea USB
Main Group: 18.01. USB Gen1
Intermediate Group: 18.190.02. USB-B
Sub Group: 18.190.156.02. Female Connector

NOTE: 3
INTERFACE INFORMATION:
Pressure Rating Bar: 300
Design Water Depth: 3000m
Material: N/A
Weight in Air: 5,7 kg
Volume: 2,65 dm³
Submerged Weight: 2,96 kg
Surface Area: 8227 cm²
Hydraulic: N/A
Mechanical: Flange
Electrical: 100-250VAC/145-350VDC, Subconn BCR2410M
Com. & Protocol: Ethernet, RS232

NOTE: 4
OPERATION & MAINTENANCE INFORMATION:
600128-TD-0007

NOTE: 5
ADDITIONAL INFORMATION:
Inductive Subsea Connector for transfer of electrical power and communication. The Blue Logic inductive connector is a multipurpose electrical connector with the capacity of transferring up to 250W electrical power, 80Mbps Ethernet and 230kbps serial communication on RS232 or RS485. Easy to connect and disconnect by divers, ROV or AUV's. BA6727 is a female connector with flange for bulkhead-installation, configured to be the primary side (transmitting part) in a connector system.



| | | | | | | |
|------|------------|------------------------|-----------------|------|-------|-------|
| 06 | 22.8.2023 | 9-IFU (Issued for Use) | | WTJ | LGH | WTJ |
| 05 | 4.1.2022 | 9-IFU (Issued for Use) | | WTJ | LGH | WTJ |
| 04 | 25.11.2019 | 9-IFU (Issued for Use) | | WTJ | LGH | WTJ |
| 03 | 15.1.2019 | 9-IFU (Issued for Use) | | WTJ | LGH | WTJ |
| Rev. | Date | Reason for issue | Revision change | Made | Chk'd | Appr. |



| | |
|-------------|-----|
| Dwg Scale: | NTS |
| Dwg Proj: | |
| Dwg Format: | A3 |

| | | |
|-----------------|---|---------|
| Drawing title: | 250W Inductive Connector Primary Side RS232 | |
| Drawing number: | BA6727 | Rev: 06 |